

LDP

LIGHT DUTY FOR AC APPLICATIONS



FEATURES AND BENEFITS

- Listed by ETL to UL 1449 3rd Edition for a Type 1 SPD application.
- Multiple Metal Oxide Varistors (MOVs), with individual current fusing and thermal disconnects for each MOV.
- LED indicates proper functioning of L-N MOVs.
- Intended for use on U.S., TN-C, TN-C-S and TNS grounded systems.

AVAILABLE CONFIGURATIONS

MODEL NUMBER SCHEME

kA Rating	Voltage	Modes Protected	
LDP	XX	YYY	Z
20	120	1 L1-N, N-G	(1 LED)
25	127	2 L1-N, L2-N	(2 LEDs)
30	230	3 L1-G, L2-G	(2 LEDs)
	277	4 L1-G, N-G	(1 LED)
		5 L1-N, L1-G	(2 LEDs)
		6 L1-N	(1 LED)
		7 L1-G	(1 LED)
		8 N-G	(0 LEDs)
		9 L1-L2	(1 LED)

Example: **LDP30-120-1**
30kA device suitable for 120V systems, designed to protect L1-N and N-G mode

A dedicated breaker should be $\geq 20A$ at main panel or $\geq 10A$ at subpanel.

Warranty

3-years

Available Options

Mounting Bracket Add suffix -B

PRODUCT SPECIFICATIONS

Electrical

Nominal Discharge Current Rating (I-n)	10kA
Operating Frequency	47–63Hz
Connection Methods	Parallel to Load (shunt) 18" #14 AWG wires Direct connect or Breaker
Modes of Protection	L-N, L-G, N-G
Fault Rating (SCCR)	65kAIC
Response Time	Less than 1 nanosecond
Standard Monitoring	LED status indicator lights (one per phase)

Mechanical

Weight	1 lb. (.5kg)
Enclosure Type	NEMA 1, Non-metallic
Installation Location	Indoor
Mounting Method	NPS Thread & Aluminum Bracket
Operating Environment	-40° to +176°F (-40° to +80°C)
Altitude	Up to 16,400 ft. (5000 m)
Product Design	Individually fused MOVs Overcurrent Fusing Thermal Fusing

Regulatory

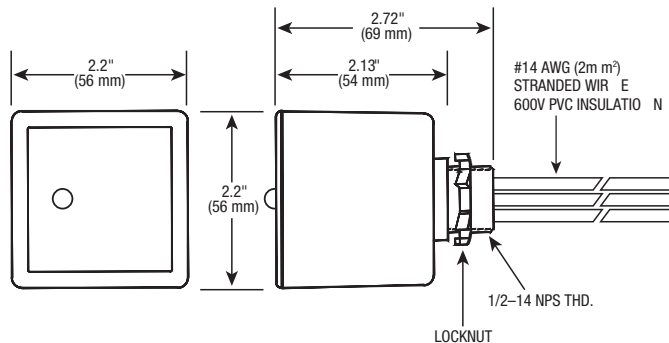
UL 1449 3rd Edition Type	Type 1
UL 1283	No
IEEE C62.41.1, .2, C62.45	Yes
Listed By	ETL

SURGE PROTECTIVE DEVICES

LDP PERFORMANCE DATA

Model Number	Voltage Configuration	Protection Modes	MCOV	UL 1449 3rd Edition 6kV 3000A VPR
LDP-xx-120	120	L-N	150	700V
		L-G	150	700V
		N-G	150	700V
LDP-xx-127	127	L-N	180	700V
		L-G	180	700V
		N-G	180	700V
LDP-xx-230	277	L-N	320	1000V
		L-G	320	1000V
		N-G	320	1000V
LDP-xx-277	480	L-N	320	1000V
		L-G	320	1000V
		N-G	320	1000V

DIMENSIONAL SPECIFICATIONS





Energía Verde RMS

Ahorra y contribuye con tu ambiente [®]

General Miguel Barragán #814
Aguascalientes, Ags.
01 (449) 145 2028
energiaverderms.com.mx